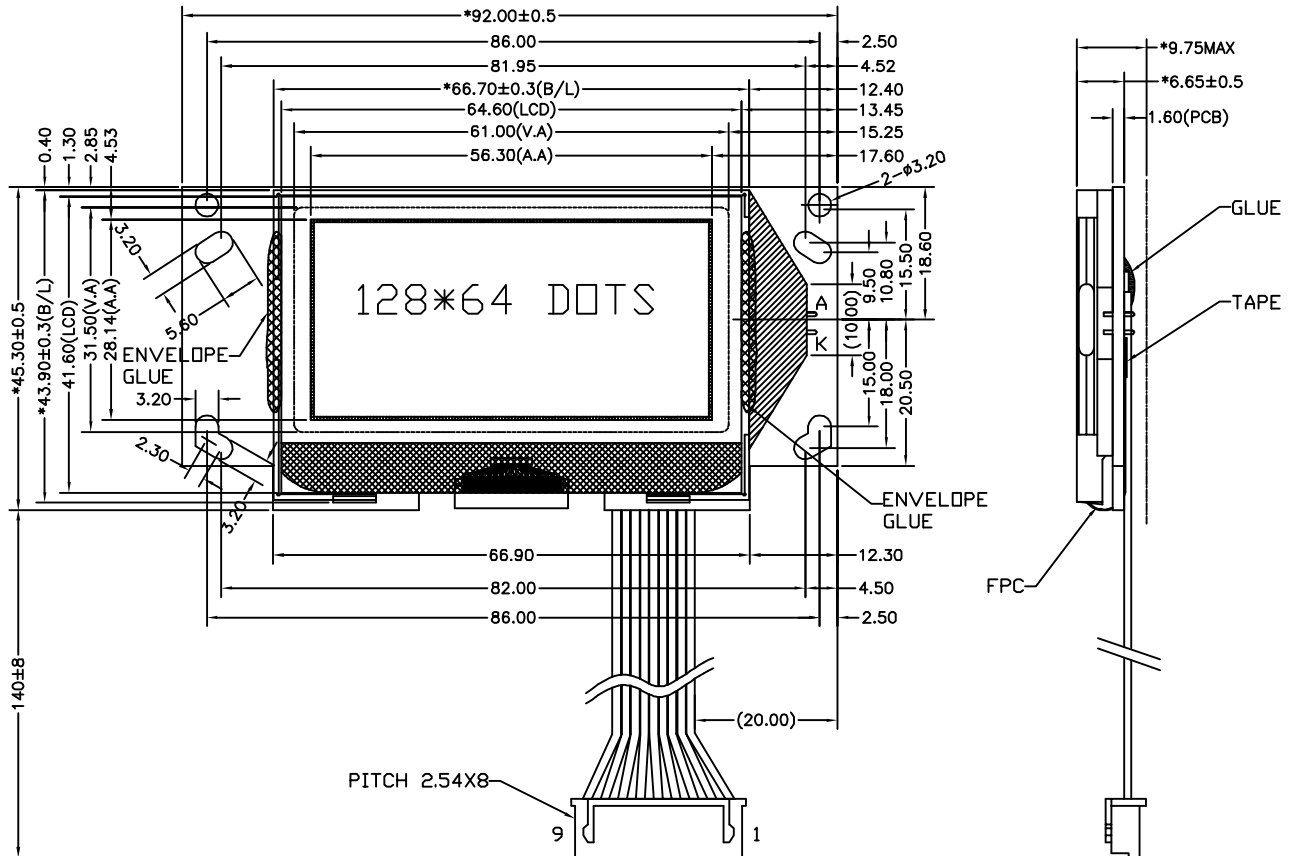


# PG-120648 Series

## OUTLINE DIMENSION

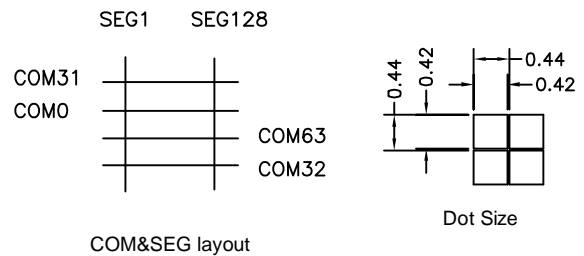


MECHANICAL DIMENSION	
Overall Dimension (mm)	92.00 X 45.30 X 9.75
Viewing Area (mm)	61.00 X 31.50
Format	128 SEG x 64 COM
Dot Size (mm)	0.42 X 0.42
Dot Pitch (mm)	0.44 X 0.44

ABSOLUTE MAXIMUM RATINGS				
Parameter	Symbol	MIN	MAX	Unit
Supply Voltage for Logic	V <sub>dd-Vss</sub>	1.8	3.6	V
Supply Voltage for LCD	V <sub>lcd</sub>	4.0	14.2	V
Input Voltage	V <sub>in</sub>			V

ELECTRICAL CHARACTERISTICS ( VDD=5.0V ; Top=25° C )					
Parameter	Symbol	MIN	Typical	MAX	Unit
Power Supply Voltage	V <sub>dd-Vss</sub>		3.3		V
LCD Operating Voltage	V <sub>op</sub>		9.0		V
LCM Current Consumption	I <sub>dd</sub>				mA
Backlight Current Consumption	LED (Edge)				mA
	LED (Array)				mA
Driving Method		1/65 Duty 1/9 Bias			

**NOTES**  
**IC Controller / Driver:** NT7538 or compatible  
**LCD :** Y/G STN, FSTN, NEGATIVE FSTN, NEGATIVE FFSTN  
**Backlight :** White LED, YELLOW-GREEN LED  
**Viewing Angle:** 6:00, 12:00  
**Operating Temperature :** -20° C ~ +70° C  
**Storage Temperature :** -30° C ~ +80° C



PIN ASSIGNMENT	
Pin No.	Symbol
1	CSI
2	REST
3	D/C
4	SCLK
5	SDATA
6	VDD
7	GND
8	LED-
9	LED+