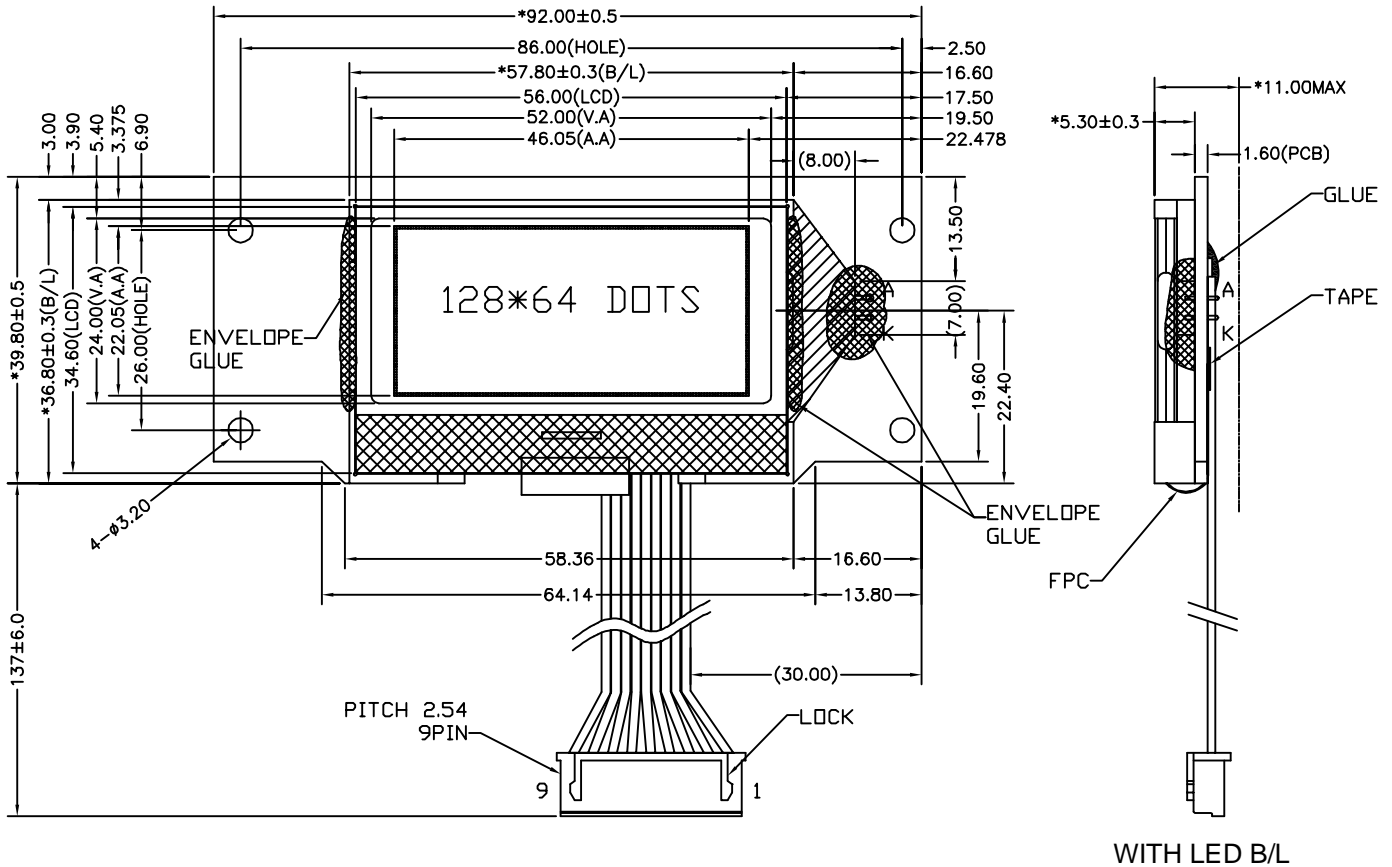


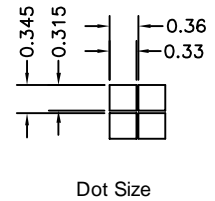
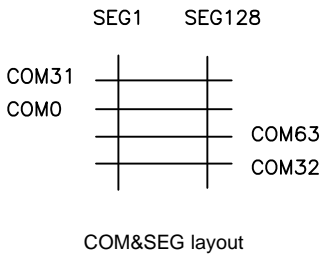
PG-120649 Series

OUTLINE DIMENSION



MECHANICAL DIMENSION	
Overall Dimension (mm)	92.00 X 39.80 X 11.00
Viewing Area (mm)	52.00 X 24.00
Format	128 SEG x 64 COM
Dot Size (mm)	0.33 X 0.315
Dot Pitch (mm)	0.36 X 0.345

ABSOLUTE MAXIMUM RATINGS				
Parameter	Symbol	MIN	MAX	Unit
Supply Voltage for Logic	Vdd-Vss	-0.3	3.6	V
Supply Voltage for LCD	Vlcd	4.0	13.5	V
Input Voltage	Vin			V



ELECTRICAL CHARACTERISTICS (VDD=5.0V ; Top=25° C)					
Parameter	Symbol	MIN	Typical	MAX	Unit
Power Supply Voltage	Vdd-Vss		3.0		V
LCD Operating Voltage	Vop		9.8		V
LCM Current Consumption	Idd				mA
Backlight Current Consumption	LED (Edge)				mA
	LED (Array)				mA
Driving Method		1/65 Duty 1/9 Bias			

NOTES
IC Controller / Driver: ST7565R or compatible
LCD : Y/G STN, FSTN, NEGATIVE FSTN, NEGATIVE FFSTN
Backlight : White LED, YELLOW-GREEN LED
Viewing Angle: 6:00, 12:00
Operating Temperature : -20° C ~ +70° C
Storage Temperature : -30° C ~ +80° C

PIN ASSIGNMENT	
Pin No.	Symbol
1	CSI
2	REST
3	D/C
4	SCLK
5	SDATA
6	VDD
7	GND
8	LED-
9	LED+