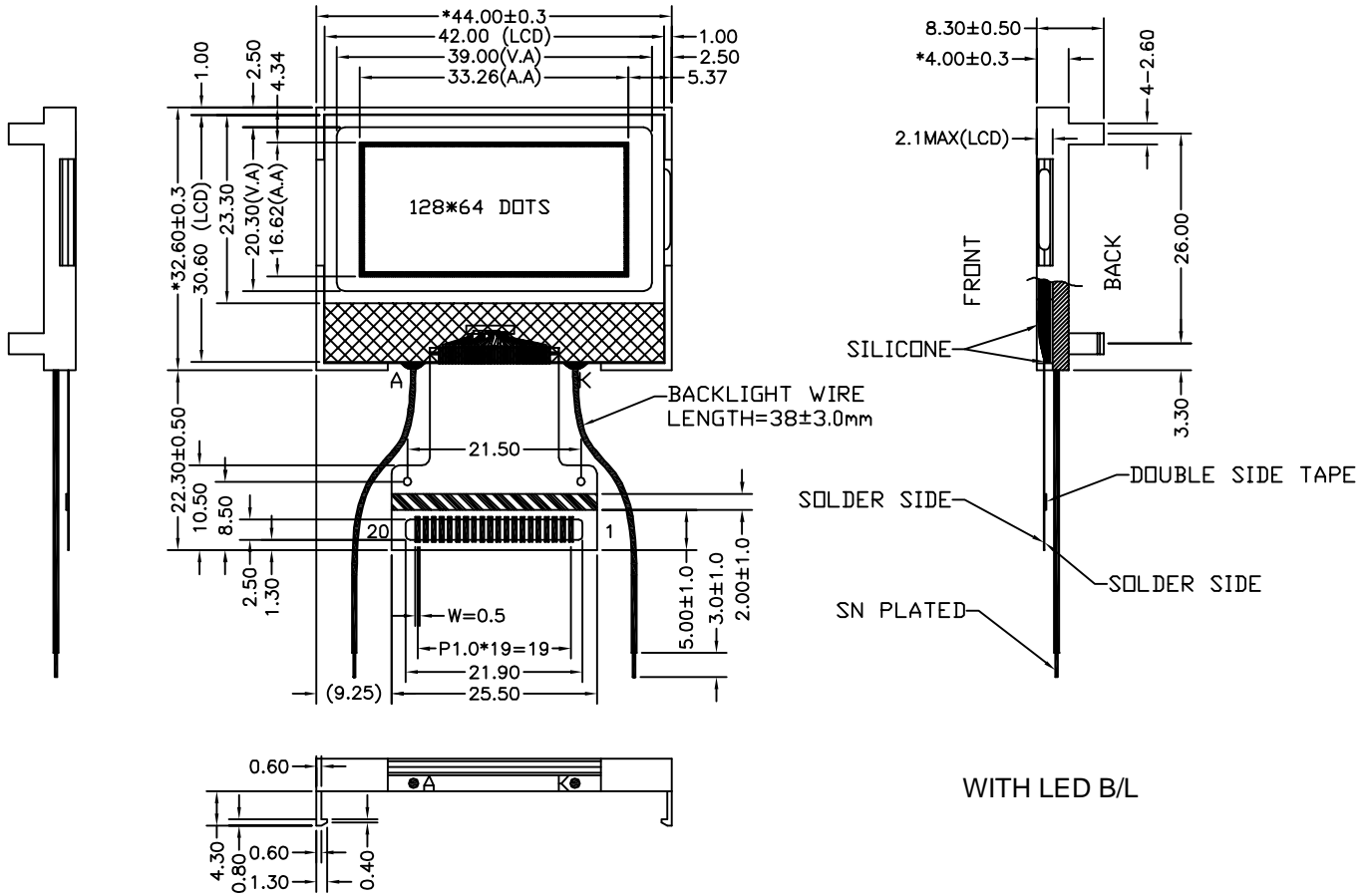


PG-120651 Series

OUTLINE DIMENSION



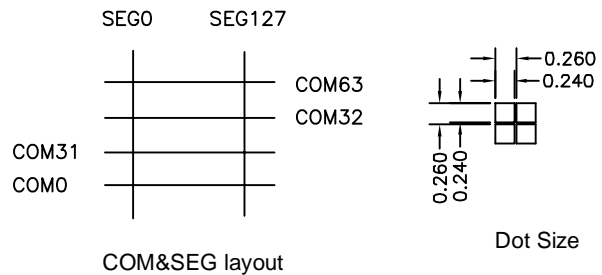
WITH LED B/L

MECHANICAL DIMENSION	
Overall Dimension (mm)	44.00 X 32.60 X 8.30
Viewing Area (mm)	39.00 X 20.30
Format	128 SEG x 64 COM
Dot Size (mm)	0.24 X 0.24
Dot Pitch (mm)	0.26 X 0.26

ABSOLUTE MAXIMUM RATINGS				
Parameter	Symbol	MIN	MAX	Unit
Supply Voltage for Logic	Vdd-Vss	-0.3	3.6	V
Supply Voltage for LCD	Vlcd	4.0	14.2	V
Input Voltage	Vin			V

ELECTRICAL CHARACTERISTICS (VDD=5.0V ; Top=25° C)					
Parameter	Symbol	MIN	Typical	MAX	Unit
Power Supply Voltage	Vdd-Vss		3.3		V
LCD Operating Voltage	Vop		9.5		V
LCM Current Consumption	Idd				mA
Backlight Current Consumption	LED (Edge)				mA
	LED (Array)				mA
Driving Method	1/65 Duty 1/9 Bias				

NOTES
IC Controller / Driver: NT7538 or compatible
LCD : Y/G STN, FSTN, NEGATIVE FSTN, NEGATIVE FFSTN
Backlight : White LED, YELLOW-GREEN LED
Viewing Angle: 6:00,12:00
Operating Temperature : -20° C~+70° C
Storage Temperature : -30° C~+80° C



PIN ASSIGNMENT			
Pin No.	Symbol	Pin No.	Symbol
1	/CS1	11	C1+
2	RST	12	C2+
3	AO	13	C2-
4	SCL	14	V1
5	SDA	15	V2
6	VDD	16	V3
7	VSS	17	V4
8	VOUT	18	V0
9	C3+	19	VR
10	C1-	20	IRS