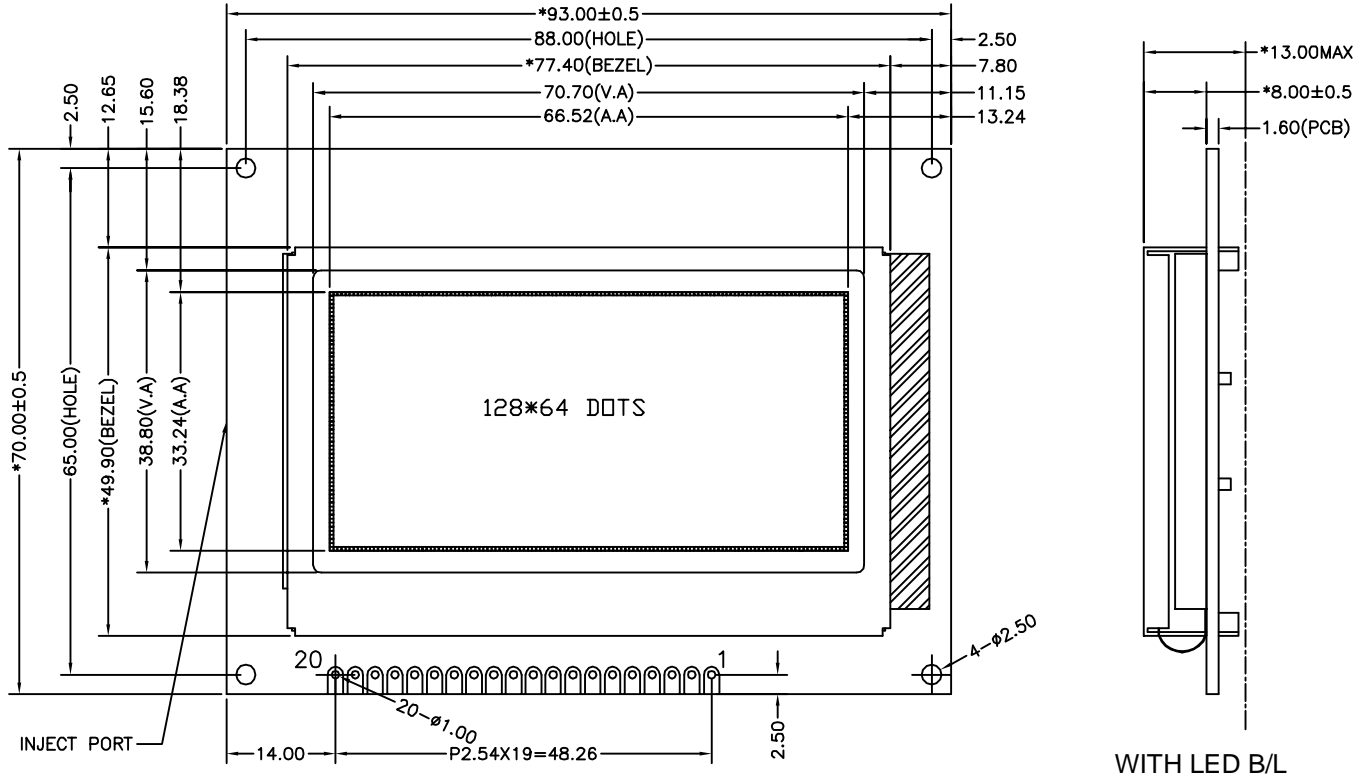


PG-120652 Series

OUTLINE DIMENSION



MECHANICAL DIMENSION	
Overall Dimension (mm)	93.00 X 70.00 X 13.00
Viewing Area (mm)	70.70 X 38.80
Format	128 SEG × 64 COM
Dot Size (mm)	0.48 X 0.48
Dot Pitch (mm)	0.52 X 0.52

ABSOLUTE MAXIMUM RATINGS				
Parameter	Symbol	MIN	MAX	Unit
Supply Voltage for Logic	V _{dd-Vss}			V
Supply Voltage for LCD	V _{lcd}			V
Input Voltage	V _{in}			V

ELECTRICAL CHARACTERISTICS (VDD=5.0V ; Top=25° C)					
Parameter	Symbol	MIN	Typical	MAX	Unit
Power Supply Voltage	V _{dd-Vss}		5.0		V
LCD Operating Voltage	V _{op}		8.0		V
LCM Current Consumption	I _{dd}				mA
Backlight Current Consumption	LED (Edge)				mA
	LED (Array)				mA
Driving Method		1/64 Duty 1/6 Bias			

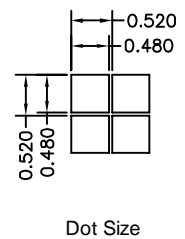
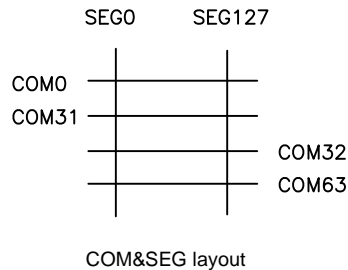
NOTES

IC Controller / Driver:
LCD :

Backlight :

Viewing Angle:
Operating Temperature :
Storage Temperature :

RA8808 or compatible
Y/G STN, FSTN,
NEGATIVE FSTN, NEGATIVE FFSTN
White LED, YELLOW-GREEN LED
6:00, 12:00
-20° C ~ +70° C
-30° C ~ +80° C



PIN ASSIGNMENT			
Pin No.	Symbol	Pin No.	Symbol
1	VSS	11	DB4
2	VDD	12	DB5
3	VO	13	DB6
4	RS	14	DB7
5	R/W	15	/CS1
6	E	16	/CS2
7	DB0	17	RST
8	DB1	18	VEE
9	DB2	19	LEDA
10	DB3	20	LEDK