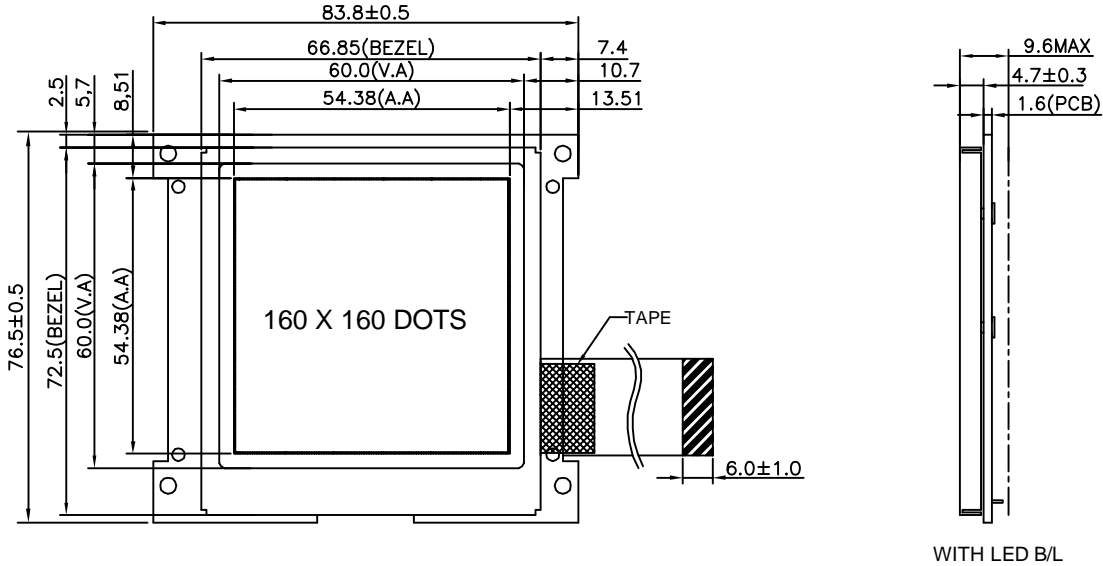
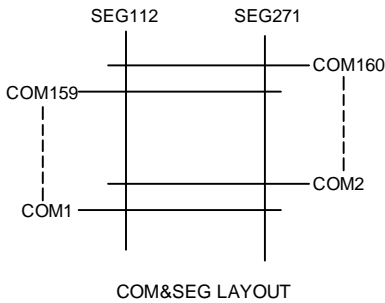
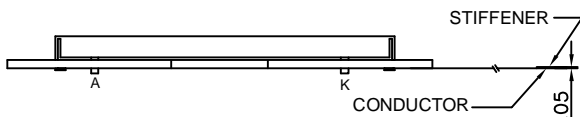


# PG-161610 Series

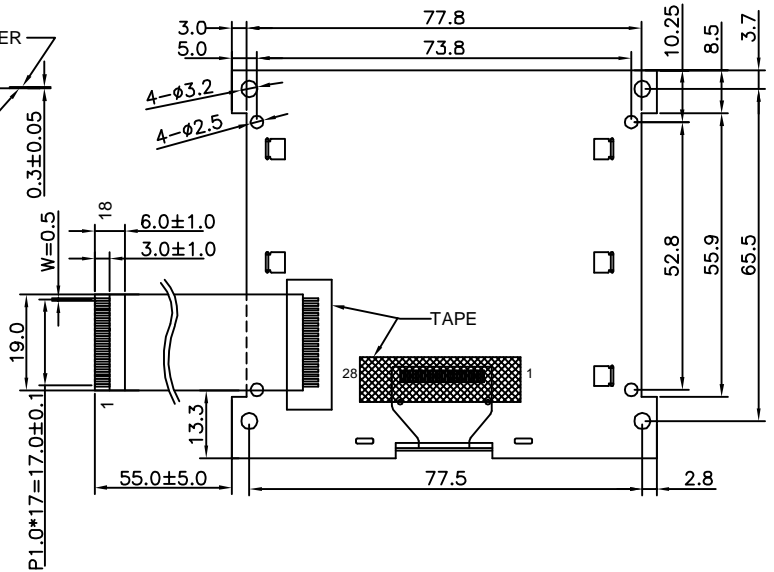
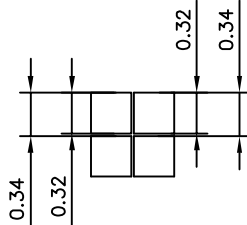
## OUTLINE DIMENSION



WITH LED B/L



### Dot Size



MECHANICAL DIMENSION	
Overall Dimension (mm)	83.8 X 76.5 X 9.6
Viewing Area (mm)	60.0X 60.0
Format	160 SEG × 160 COM
Dot Size (mm)	0.32 X 0.32
Dot Pitch (mm)	0.34 X 0.34

ELECTRICAL CHARACTERISTICS ( VDD=5.0V ; Top=25° C )					
Parameter	Symbol	MIN	Typical	MAX	Unit
Power Supply Voltage	Vdd-Vss		3.3		V
LCD Operating Voltage	Vop		16.5		V
LCM Current Consumption	Idd				mA
Backlight Current Consumption	LED (Edge)				mA
	LED (Array)				mA
Driving Method		1/160 Duty 1/10 Bias			

### NOTES

IC Controller / Driver:

LCD :

Backlight :

Viewing Angle:

Operating Temperature :

Storage Temperature :

UC1698u (or Compatible)

FSTN, Y/G STN, Negative FSTN

Negative FFSTN

White LED, YELLOW-GREEN LED

6:00, 12:00

-20° C ~ +70° C

-30° C ~ +80° C

### ABSOLUTE MAXIMUM RATINGS

Parameter	Symbol	MIN	MAX	Unit
Supply Voltage for Logic	Vdd-Vss	-0.3	3.3	V
Supply Voltage for LCD	Vlcd	6.15	18	V
Input Voltage	Vin			V

### PIN ASSIGNMENT

Pin No.	Symbol	Pin No.	Symbol
1	VSS	10	D2
2	A0	11	D3
3	WR	12	D4
4	RD	13	D5
5	XCS	14	D6
6	RESET	15	D7
7	VDD	16	LEDK
8	D0	17	NC
9	D1	18	LEDA