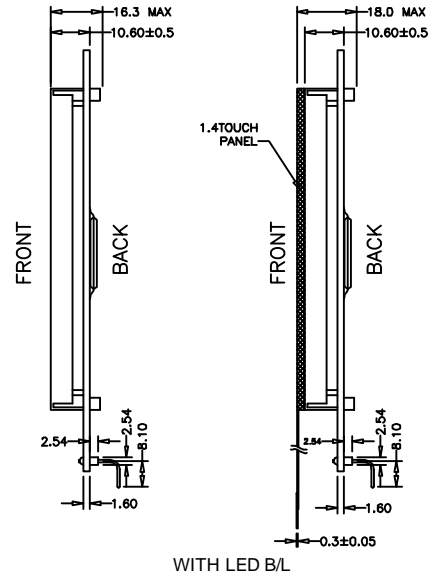
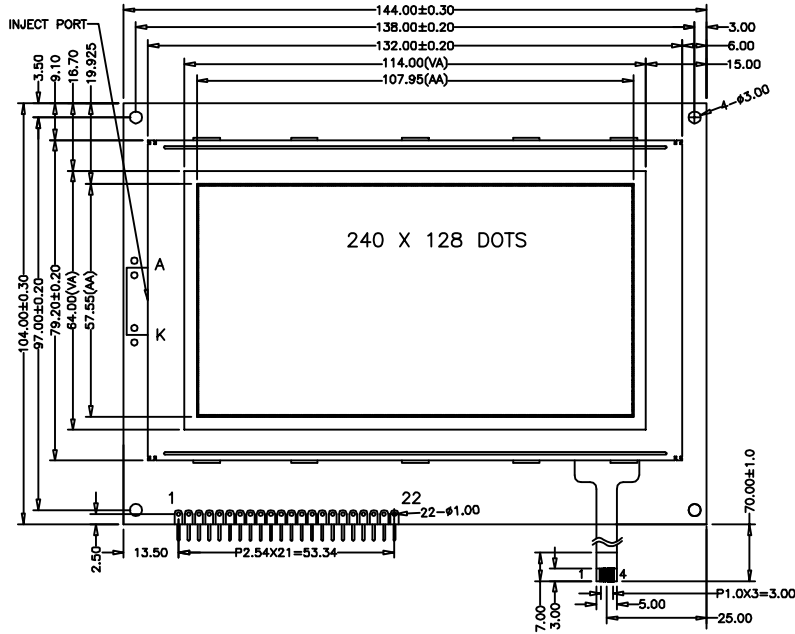
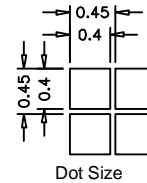


PG-241208 Series

OUTLINE DIMENSION



MECHANICAL DIMENSION	
Overall Dimension (mm)	144.0 X 104.0 X 16.3/18.0
Viewing Area (mm)	114.0 X 64.0
Format	240 SEG × 128 COM
Dot Size (mm)	0.40 X 0.40
Dot Pitch (mm)	0.45 X 0.45



ABSOLUTE MAXIMUM RATINGS				
Parameter	Symbol	MIN	MAX	Unit
Supply Voltage for Logic	Vdd-Vss	-0.3	+7.0	V
Supply Voltage for LCD	Vlcd			V
Input Voltage	Vin	-0.3	Vdd + 0.3	V

ELECTRICAL CHARACTERISTICS (VDD=5.0V ; Top=25° C)					
Parameter	Symbol	MIN	Typical	MAX	Unit
Power Supply Voltage	Vdd-Vss		5.0		V
LCD Operating Voltage	Vop		14.5		V
LCM Current Consumption	Idd				mA
Backlight Current Consumption	LED (Edge)				mA
	LED (Array)				mA
Driving Method	1/128 Duty 1/12 Bias				

NOTES

- IC Controller / Driver:** SAP1024B or Equivalent
- LCD Options:** Gray STN, Y/G STN, Negative FSTN
Blue STN, FSTN
- Backlight Options:** Y/G LED, Amber LED, White LED
- Viewing Angle Options:** 6:00, 12:00
- Operating Temperature :** -20° C ~ +70° C
- Storage Temperature :** -30° C ~ +80° C

PIN ASSIGNMENT		
Pin No.	Symbol	Function
1	A	Power Supply for LED B/L (-)
2	K	Power Supply for LED B/L (+)
3	Vout	
4	V0	Contrast Adjust
5	PD	
6	GND	Power Supply (GND)
7	VDD	Power Supply (+)
8	V5	
9	/WR	Data Read / Write
10	/RD	
11	/CE	
12	C/D	
13	/RST	
14	DB0	Data Bus Line
15	DB1	Data Bus Line
16	DB2	Data Bus Line
17	DB3	Data Bus Line
18	DB4	Data Bus Line
19	DB5	Data Bus Line
20	DB6	Data Bus Line
21	DB7	Data Bus Line
22	FS	